

**PROCESSOR
DSP AUDIO**
SHEET 4

RECEIVER
SHEET 3

SYNTH-VCO
SHEET 5

POWER-AMP
SHEET 2

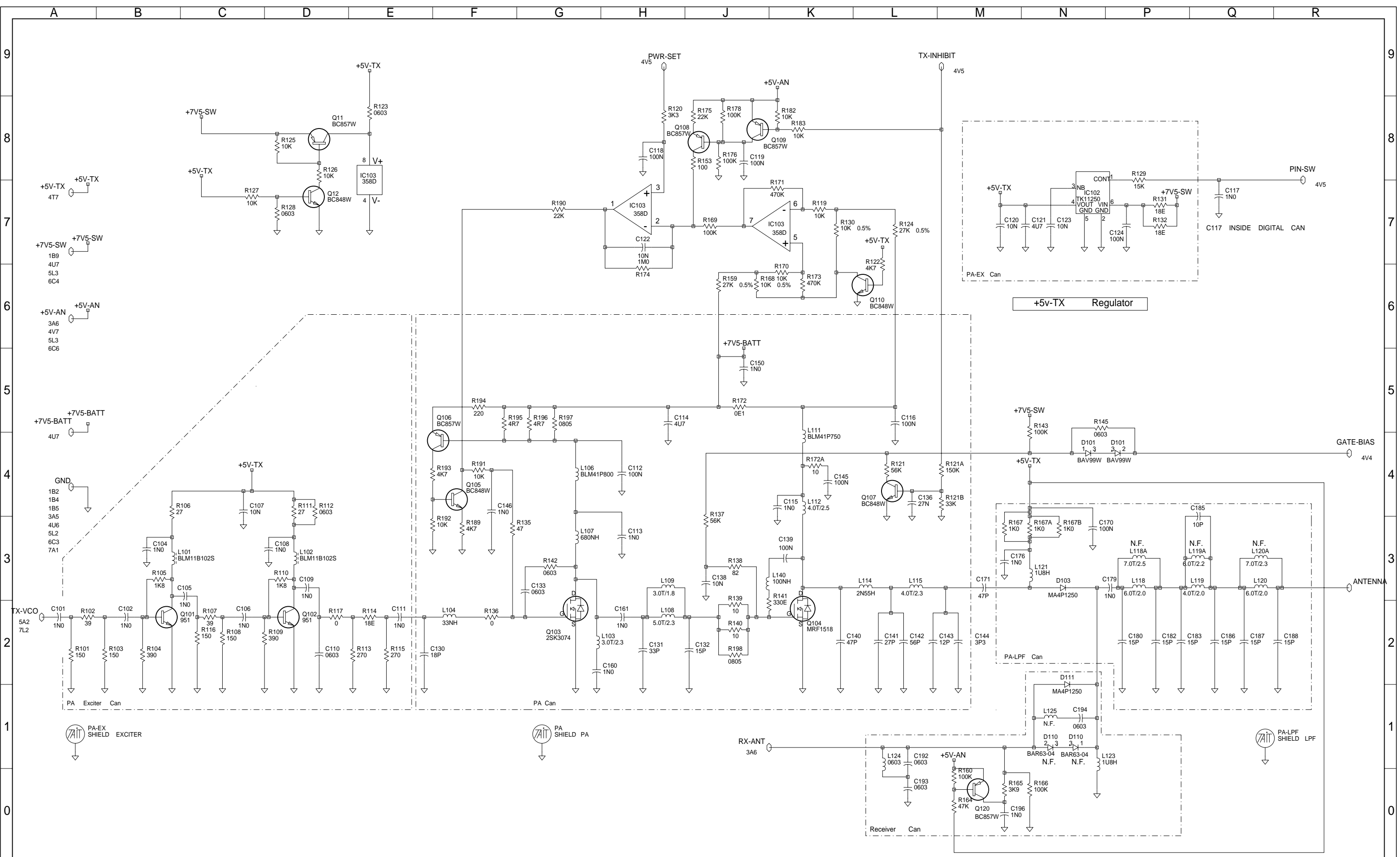
VCO
sheet 6

BAND III
Tait Orca Slim

© TAIT ELECTRONICS			
SLIM TOP BAND III 175-225MHZ SYSTEM DIAGRAM			
IPN: 220-01654-02	ISSUE: A	ID: 2.S.C. 1	
PROJECT: TAIT ORCA	DESIGNER: BRD	FILE NAME: 165402a	FILE DATE: 11-Aug-00
NO. SHEETS: 7			

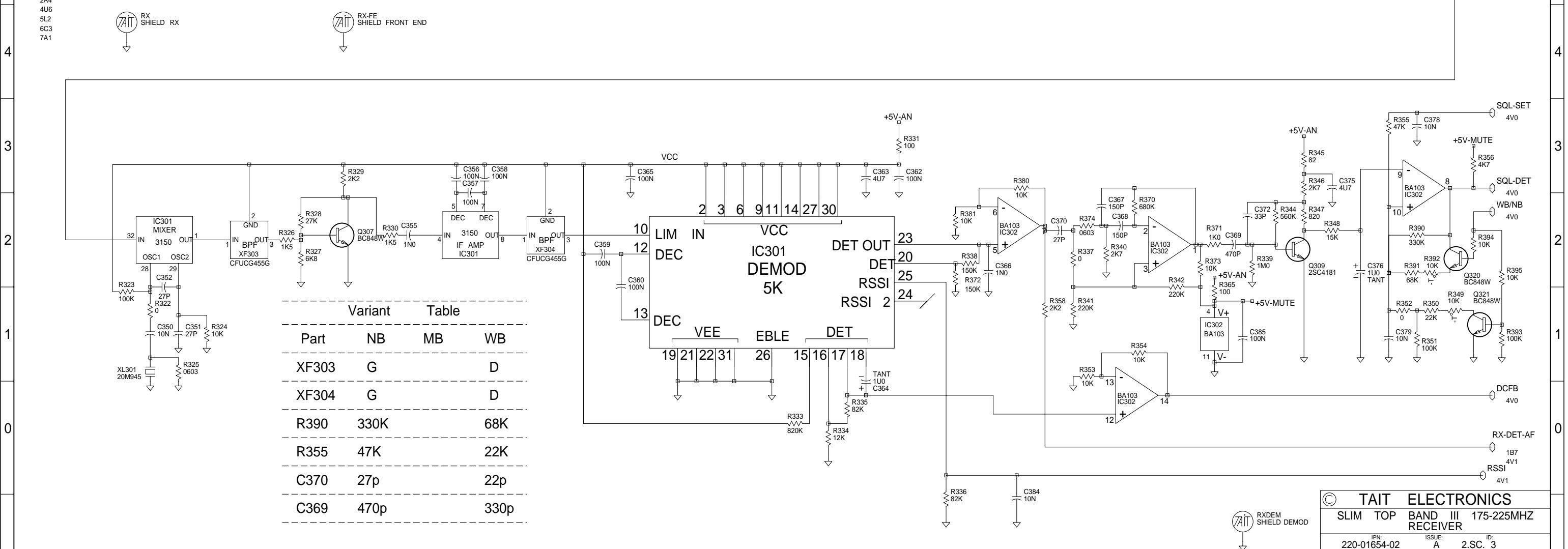
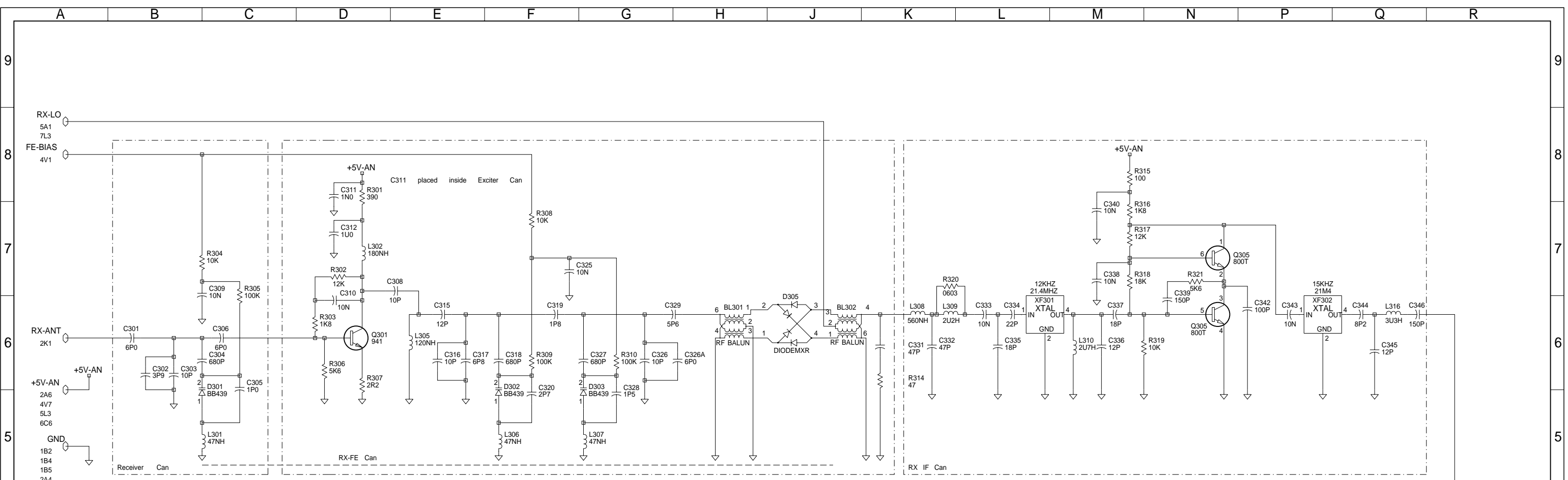
02A	CCO NO. 1654-001	BRD			09-8-00
01A	NEW PA LINEUP SYNTH RX	BRD			10/07/00
REV/ISS	AMENDMENTS	DRAWN	CHKD	D.O.	APVD DATE





© TAIT ELECTRONICS
 SLIM TOP BAND III 175-225MHZ
 POWER AMPLIFIER
 IPN: 220-01654-02 ISSUE: A ID: 2.S.C. 2
 PROJECT: TAIT ORCA DESIGNER: BRD FILE NAME: 165402a FILE DATE: 11-Aug-00 NO.SHEETS: 7

REV/ISS	AMENDMENTS	DRAWN	CHKD	D.O.	APVD	DATE
A						



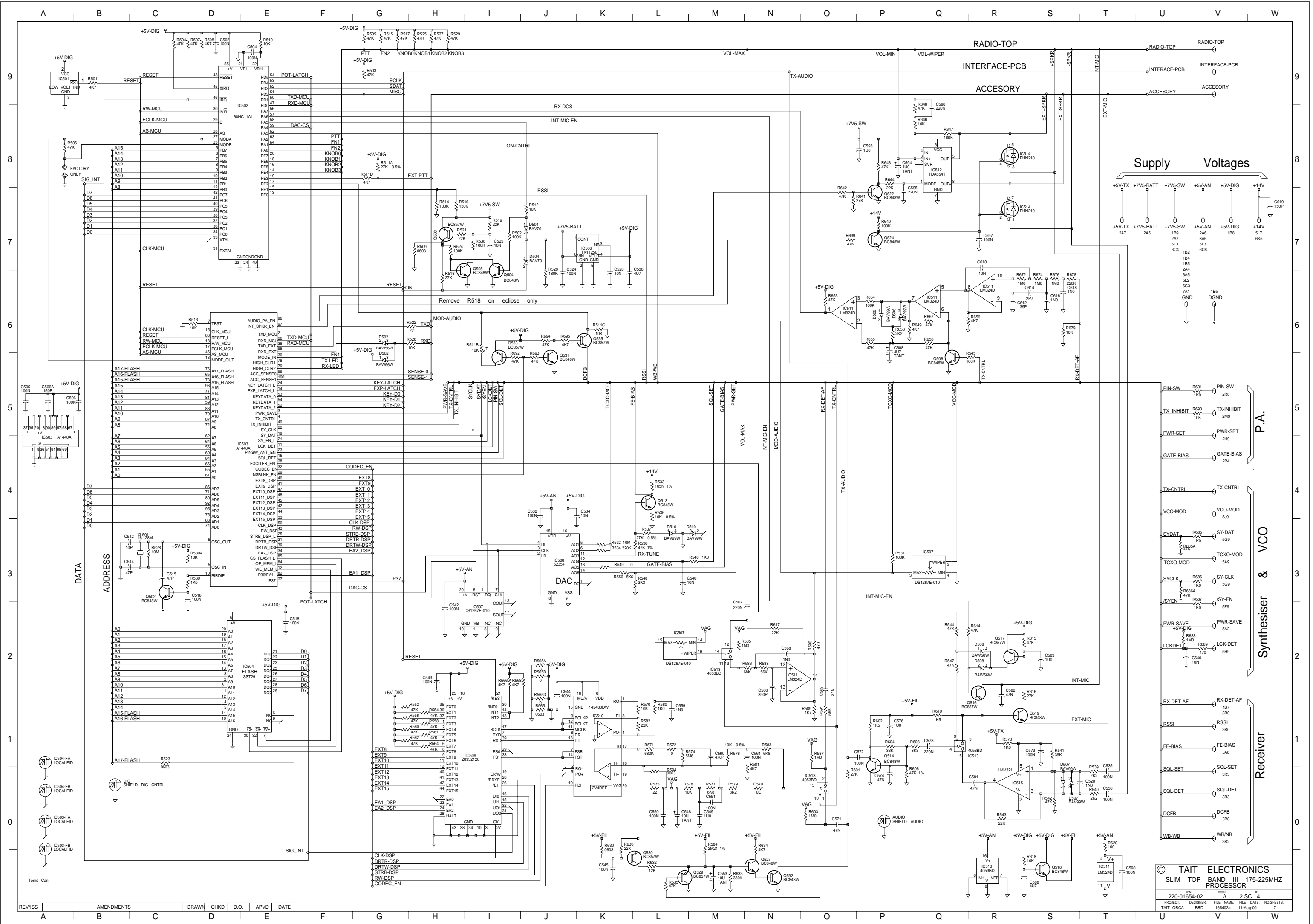
REV/ISS	AMENDMENTS	DRAWN	CHKD	D.O.	APVD	DATE
A						

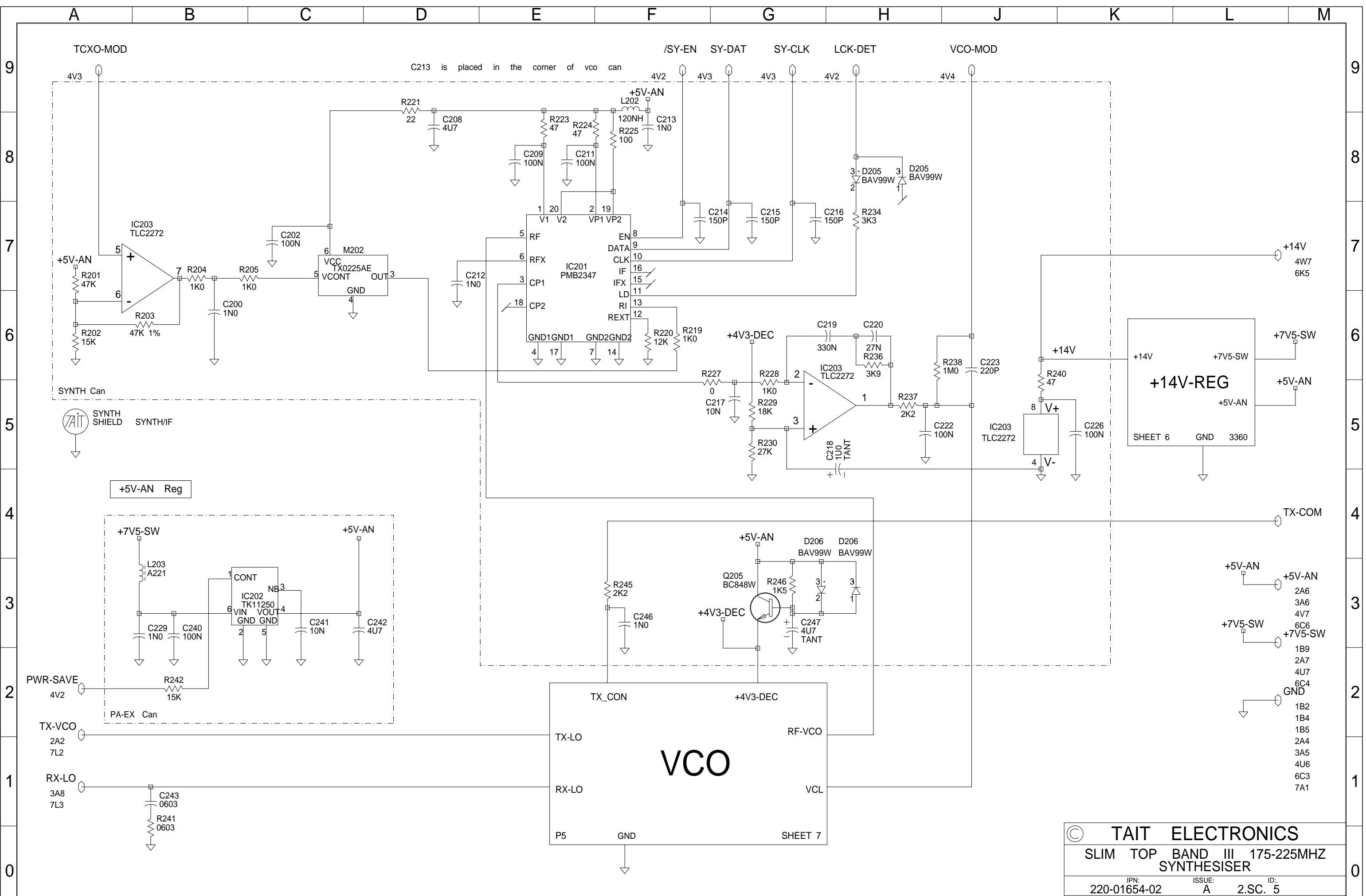
TAIT ELECTRONICS

SLIM TOP BAND III 175-225MHZ RECEIVER

IPN: 220-01654-02 ISSUE: A ID: 2.S.C. 3

PROJECT: TAIT ORCA DESIGNER: BRD FILE NAME: 165402a FILE DATE: 11-Aug-00 NO.SHEETS: 7

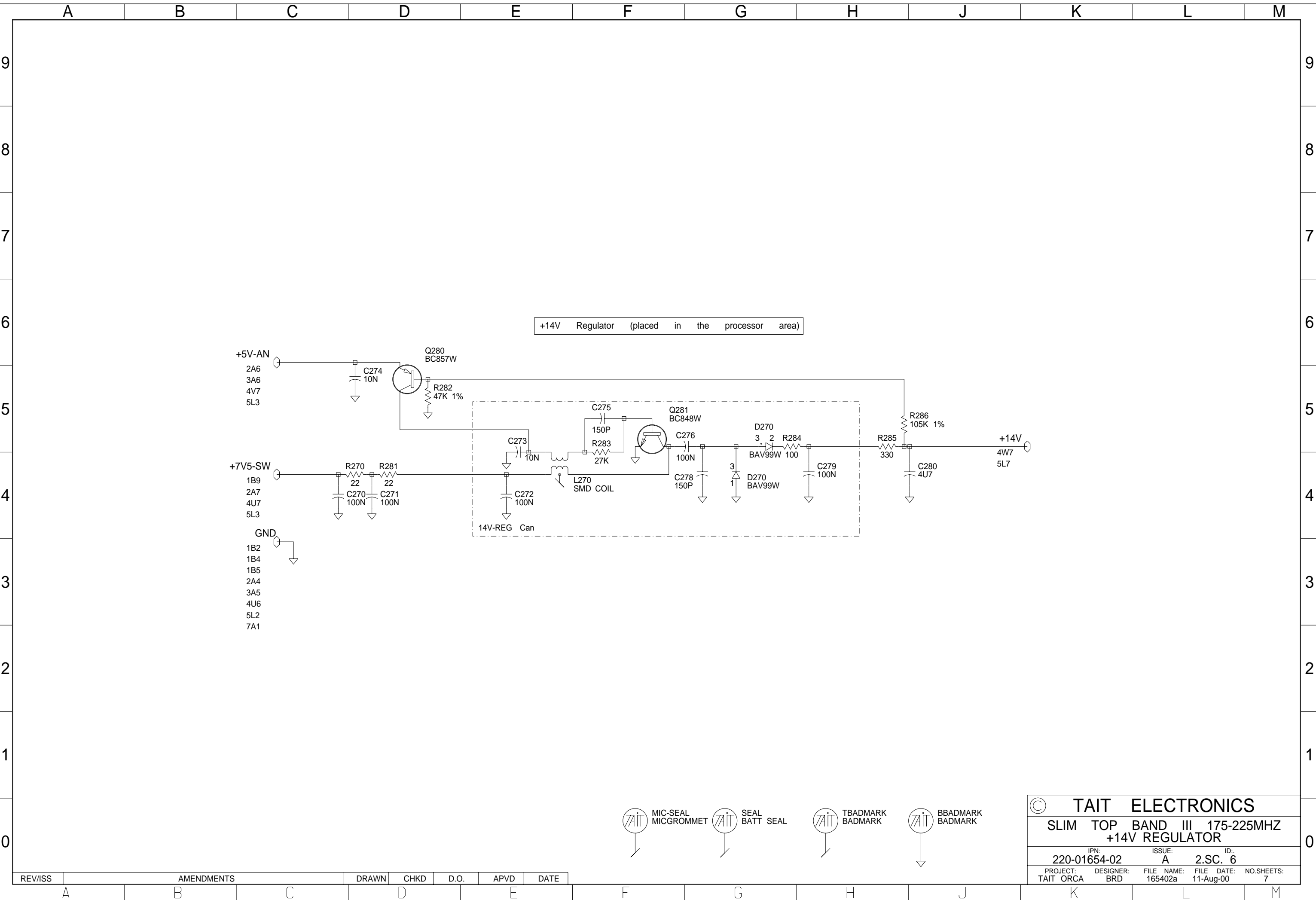




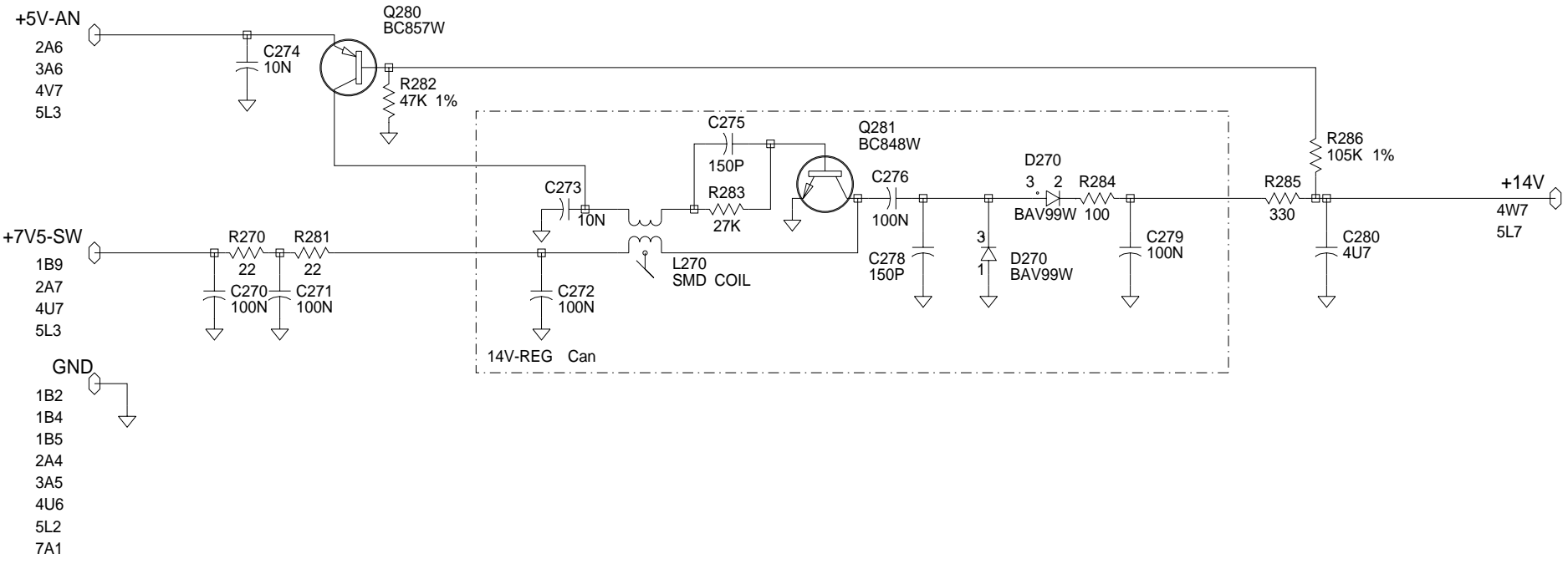
© TAIT ELECTRONICS
 SLIM TOP BAND III 175-225MHZ SYNTHESISER
 IPN: 220-01654-02 ISSUE: A ID: 2.SC. 5
 PROJECT: TAIT ORCA DESIGNER: BRD FILE NAME: 165402a FILE DATE: 11-Aug-00 NO.SHEETS: 7

REV/ISS	AMENDMENTS	DRAWN	CHKD	D.O.	APVD	DATE

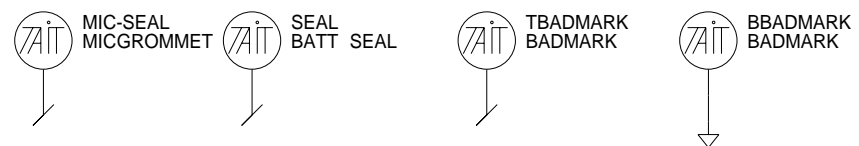
- +5V-AN 2A6
- +5V-AN 3A6
- 4V7 4V7
- +7V5-SW 6C6
- +7V5-SW 7A1
- 1B9
- 2A7
- 4U7
- 6C4
- GND
- 1B2
- 1B4
- 1B5
- 2A4
- 3A5
- 4U6
- 6C3
- 7A1



+14V Regulator (placed in the processor area)

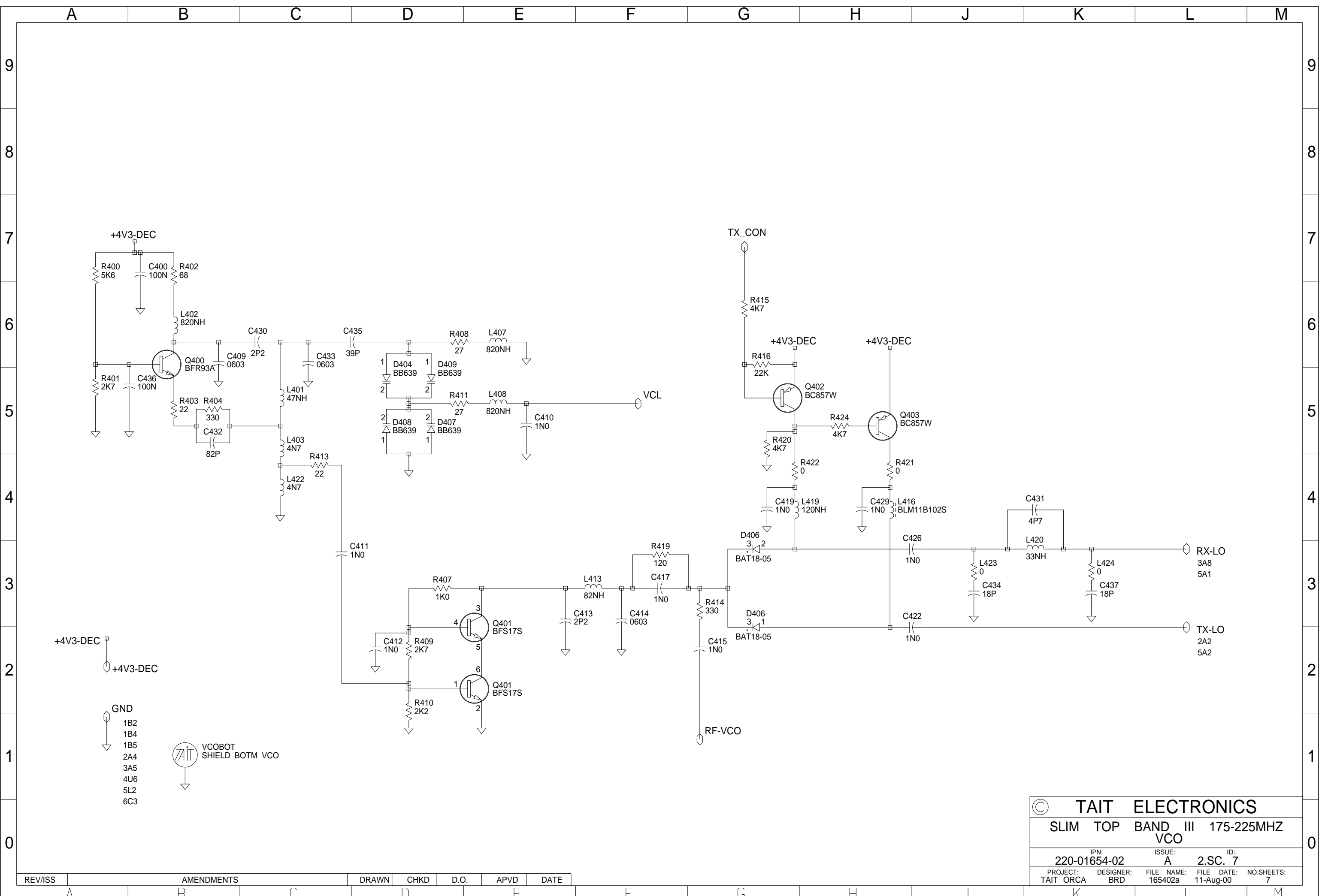


GND
1B2
1B4
1B5
2A4
3A5
4U6
5L2
7A1



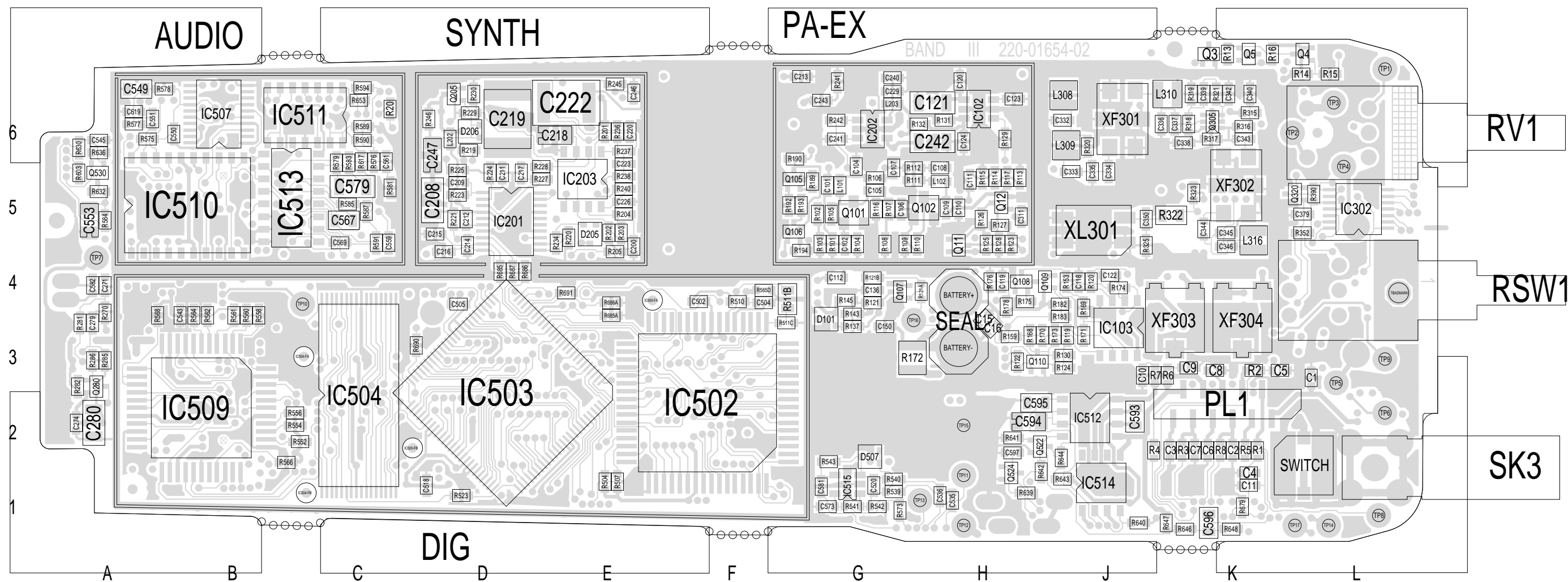
© TAIT ELECTRONICS				
SLIM TOP BAND III 175-225MHZ +14V REGULATOR				
IPN:	ISSUE:	ID:		
220-01654-02	A	2.SC. 6		
PROJECT:	DESIGNER:	FILE NAME:	FILE DATE:	NO.SHEETS:
TAIT ORCA	BRD	165402a	11-Aug-00	7

REV/ISS	AMENDMENTS	DRAWN	CHKD	D.O.	APVD	DATE
---------	------------	-------	------	------	------	------



© TAIT ELECTRONICS
 SLIM TOP BAND III 175-225MHZ VCO
 IPN: 220-01654-02 ISSUE: A ID: 2.SC. 7
 PROJECT: TAIT ORCA DESIGNER: BRD FILE NAME: 165402a FILE DATE: 11-Aug-00 NO.SHEETS: 7

REV/ISS	AMENDMENTS	DRAWN	CHKD	D.O.	APVD	DATE



TAIT ELECTRONICS	IPN: 220-01654-02	ISS: A	ID: 1.TA	DATE: 11 Aug 2000
BAND III PCB LAYOUT - TOP SIDE				

Scale: 2.3:1 ; Rotation: 0 degrees



TAIT ELECTRONICS IPN: 220-01654-02 ISS: A ID: 6.BA DATE: 11 Aug 2000
 BAND III PCB LAYOUT - BOTTOM SIDE

Scale: 2.3:1 ; Rotation: 0 degrees